

Takemura Selection Box

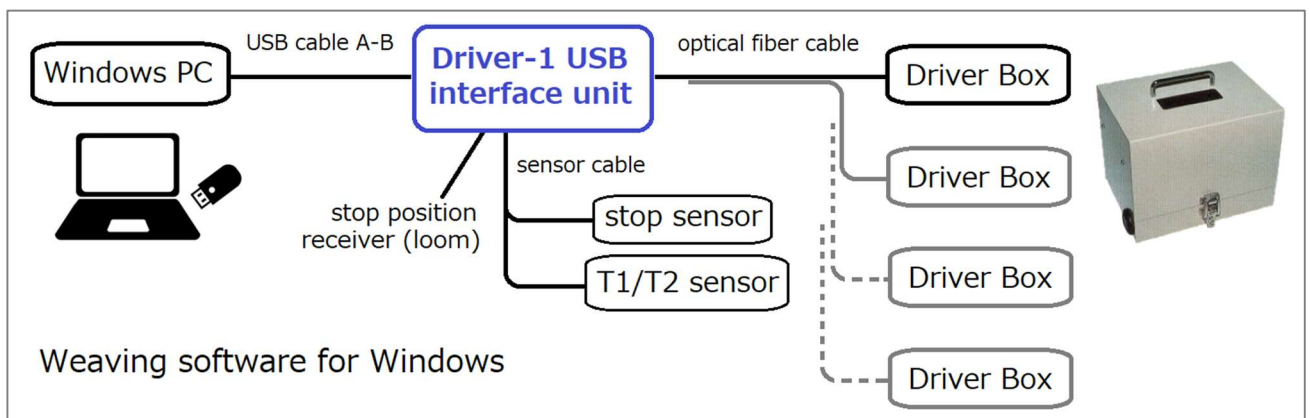
Driver-1 USB interface unit

This interface enables the former model Driver Box to be controlled by Windows computer. Driver Box type 1 had been controlled by DOS computer and had needed the pattern in floppy disks, those are currently out-of-date and hard to find. Driver-1 USB interface unit is a solution to make the old SB system up-to-date.



【Specifications】

Size:	170 x 120 x H50 mm
IN/OUT:	1 x USB type B for computer 1 x DSUB/25P for sensor cable (T1/T2, Stop) 1-4 x Optical fiber connectors for up to 4 Driver Boxes 1 x 3P Terminal block for stop position relay
Monitor LED:	T1/T2 and Stop sensors
Accessory:	USB A-B cable



TAKEMURA TECHNO WORKS CO., LTD.

40, Takeda-Fukenogawa-cho, Fushimi-ku, Kyoto, 612-8454, JAPAN

TEL +81-75-604-3252 FAX +81-75-603-3664 E-mail: info@ttw.co.jp

URL: <http://www.ttw.co.jp>